

# Get OUT into nature!



GERMAN DESIGN  
**TOPPLAY**  
by beleduc

GERMAN DESIGN  
**TOPTRIKE**  
by beleduc

With innovative Product-Novelties



## TOPLINE 2025



# TOPLINE

Movement & fun in the great outdoors!

The beleduc TopLine consists of the vehicles from TopTrike and the new outdoor products from TopPlay for creative role play.

'Playing outside' is more important than ever and with the new TopPlay products this is our focus. Playing and learning is even more fun outdoors, new play ideas come up, quite freely and creatively. Movement is fun and important for healthy and active children. With the innovative vehicles of the TopTrike line, we promote motor skills in a playful way and integrate sports and play into everyday life.

New concepts on the pulse of time!

Innovations in role play and trikes



From the first scribble to the final product



**HIGHLIGHT 2025**

"For me it's important that a toy always has a clear challenge character and is self-explanatory. I am very happy when children are naturally encouraged to move outside in nature and use their imagination to discover new ways to play."



Ansgar Honkomp, Senior Designer beleduc





# NATURE & CHILDREN

At beleduc we are passionate about encouraging interaction and connection between children and nature that enable children to learn and develop themselves. We believe that children who are in a qualitative interaction with nature on a daily basis, become the perfect ambassador to protect and promote initiatives for the environment and climate-friendly behavior.

At beleduc, we are also curious about what the research tells us, especially the Nordic research confirms that children who spend time in nature and are allowed to play and experiment in nature, develop better motor skills, better attention, better problem solving and are healthier than children who do not spend much time out in nature.

We want to contribute with play and learning environments which support the child's holistic development.

With our TopPlay range of products, we now offer the same high degree of play, experience, and learning, but now in a format that contributes to a qualitative outdoor play and learning environment.

**We are fully aware that children's play, experiences, and learning achieves good conditions when we move everyday activities outdoors and use them in a new and exciting way.**

As an initiative to pursue this important nature education vision, we have established a collaboration with a Danish sustainability award-winning nature kindergarten expert - Michael Hall Larsen.

**"In nature, we learn with our whole body, with our hands, eyes, ears, brain and heart. Nature is a place where children can touch, feel and try things out in practice."**

(Michael Hall Larsen)



» CHILDREN  
NEED NATURE  
AND NATURE  
NEEDS  
CHILDREN «





# ACTIVITY TABLE

*Innovative modular system for creative freeplay!*

**INDOOR  
&  
OUTDOOR!**



**MADE FROM SOLID PRESSURE IMPREGNATED WOOD +  
PLASTIC PANELS, UV- & WEATHERPROOF**



**KIDS VIDEO**

**AVAILABLE  
INDIVIDUALLY**

62101  
**Activity Gametable solo**



**REMOVABLE AND EXCHANGEABLE TA-  
BLE TOPS WITH DIFFERENT PLAY IDEAS**



62102  
**Gameboard „Rainbow“**



62103  
**Gameboard „Mandala Snail“**



## ACTIVITY TABLE

Play table, muddling, handicrafts, painting, weaving, collecting and role play in one product. This robust and practical new children's play table line from beleduc is versatile and much more than conventional play tables. This system offers an infinite number of play possibilities and can be used both indoors and outdoors. In bad weather or in winter, the creative play tables are also ideal as craft tables with tubs for pens, modelling clay and and craft materials. An all-round great companion for creative play.

Gameboard: 550 × 450 × 150 mm



62100

**Activity Table "Starter Set", 5pcs**

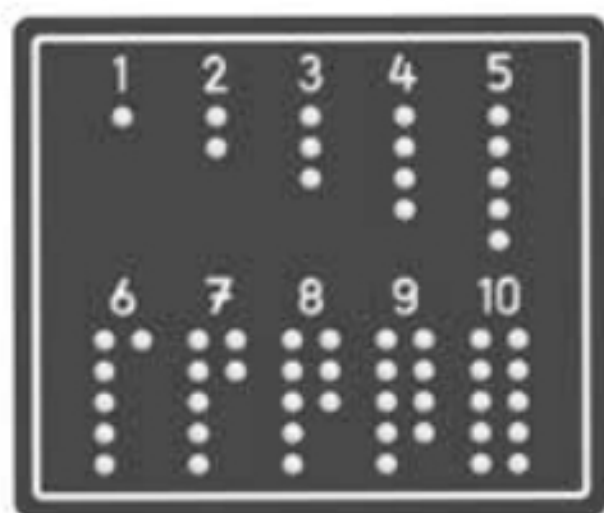
3 Activity tables + Gameboard "Rainbow" + Gameboard with "Weaving frame"

WIDE RANGE OF  
ASSEMBLY OPTIONS

INNOVATIVE  
MODULAR SYSTEM  
+ MODERN DESIGN  
+ MATERIAL MIX!



STABLE PLASTIC TRAYS, HEIGHT  
OF PLAYING SURFACE, 55 CM



62104

**Gameboard "Math 1-10"**



62105

**Gameboard „Sieves and bowl“**



62106

**Game board with "Painting frame"**



62107

**Gameboard with „ Weaving frame“**



# MULTI-FLEX-TROLLEY

MOBILE ALLROUNDER FOR INDOOR UND OUTDOOR USE!

70L  
Capacity

THE TWO TRANSPORT TRAYS ARE REMOVABLE

68045

## MULTI-FLEX-TROLLEY

The new Multi-Flex-Trolley – all in one! Tidy up, transport, store and much more ... Ideal in the institution but also for on the go ... one for everything. Perfect for transporting objects. In the institution, to transport sports and exercise materials, such as balls, skipping ropes etc. to the gym. But the Multi-Flex-Trolley is also suitable outdoors and is the perfect companion for hiking days and excursions. Collected items from nature or shovels can be taken along and water for the road is also included! Jackets and children's backpacks can be taken along ideally and easily from A to B here. The perfect companion for indoors and outdoors!

Size: 955 × 850 × 615 mm

Box size: 1060 × 580 × 265 mm

PRACTICAL XL STORAGE BAG

WITH PRACTICAL SIDE COMPARTMENT



EASIER ACCESS FROM ALL SIDES



DRINK DISPENSER SEPARATELY AVAILABLE



6 beleduc TopLine

As a mobile partner for excursions.



As an mobile packing station.



More organisation in the gym.







**MULTI**FUNCTIONAL  
**FLEX**IBEL TO USE  
**FOR KIGA & SCHOOL**

*E.g. as a snack station on the sports field or on the school yard*

The Multi-Flex-Trolley includes a holder for the drinks dispenser.

68046

### DRINK DISPENSER WITH ASSEMBLY SET

The ideal addition to the Multi-Flex Trolley, but can also be attached individually to a fence or tree on the playground, or on the go. Drinking is part of a healthy diet nutrition: this drinks dispenser eliminates the hassle of lugging around individual bottles for a whole group of children. With capacity of 9 litres, the drinks dispenser quenches the thirst of any group of children. And it also encourages children's independence, because even the youngest can operate the cap. The lid can be completely unscrewed. It is easy to clean and has a simple assembly with 2 tensioning straps supplied.

Size: 325 x 310 x 245 mm  
Box size: 340 x 310 x 355 mm

3+ 1+ **FOB**



INCLUDED IN THE SET:  
DRINKS DISPENSER,  
METAL MOUNTING SET,  
2 TENSION BELTS



**MATCH!**

PERFECT ADDITION TO THE MULTI-FLEX TROLLEY

9 LITRE CAPACITY  
EASY TO WASH, THEREFORE HYGIENIC  
SUITABLE FOR HOT AND COLD DRINKS

MATERIAL INSIDE:  
STAINLESS STEEL  
MATERIAL OUTSIDE: PA, PC





62040

### KIOSK 4 IN 1

Out into nature! With the TopTrike Kiosk, role play can now be moved outside. Several children can play there at the same time because the kiosk offers enough space. There are many play options here, such as a food stand/market, kiosk, ice cream stand or snack bar/restaurant. Playing encourages imitative and imaginary play, fantasy storytelling, role play and creativity and it's a lot of fun. A highlight for any kindergarten.

Size: 1130 × 1130 × 1950 mm  
 Box size 1: (2x) 1170 × 570 × 150 mm  
 Box size 2: (1x) 630 × 210 × 425 mm



NUMEROUS PLAYING  
POSSIBILITIES

MADE OF PINE WOOD  
PRESSURE IMPREGNATED  
PLAYABLE FROM 4 SIDES



2 COOKING PLATES  
(ROBUST SCREEN PLATE/  
WEATHERPROOF)



HAVE A LOOK!



Kids Video

3 WRITABLE  
CHALKBOARDS

GREAT TEXTILE DETAILS:  
BANNER CHAIN, KIOSK  
ROOF & ROLLING SHUT-  
TER



1 FRUIT & VEGETABLE  
BOX (MADE OF WOOD)



METAL BASE





62050

### CAMPING CAR

The TopPlay Camping Car offers children an opportunity for role play in nature. Several children can play there at the same time. The camping car can be equipped as desired. The two-part body with the driver's cab is rich in detail, including brake and accelerator/brake pedal. A small kitchen with 2 cooking plates and a washbasin awaits the children in the back area. Wooden bench inclusive.

Size: 2350 x 630 x 1050 mm  
Box size 1: 940 x 500 x 230 mm  
Box size 2: 1120 x 710 x 180 mm  
Box size 3: 1120 x 650 x 180 mm

3+  FOB



### NUMEROUS PLAYING POSSIBILITIES

DRIVER'S CABIN WITH TOPTRIKE HORN, STEERING WHEEL AND MOVABLE GEAR SHIFT KNOB



DETACHABLE PENNANT CHAIN



IDEAL FOR THE WHOLE GROUP

WITH 2 COOKING PLATES AND A WASHBASIN

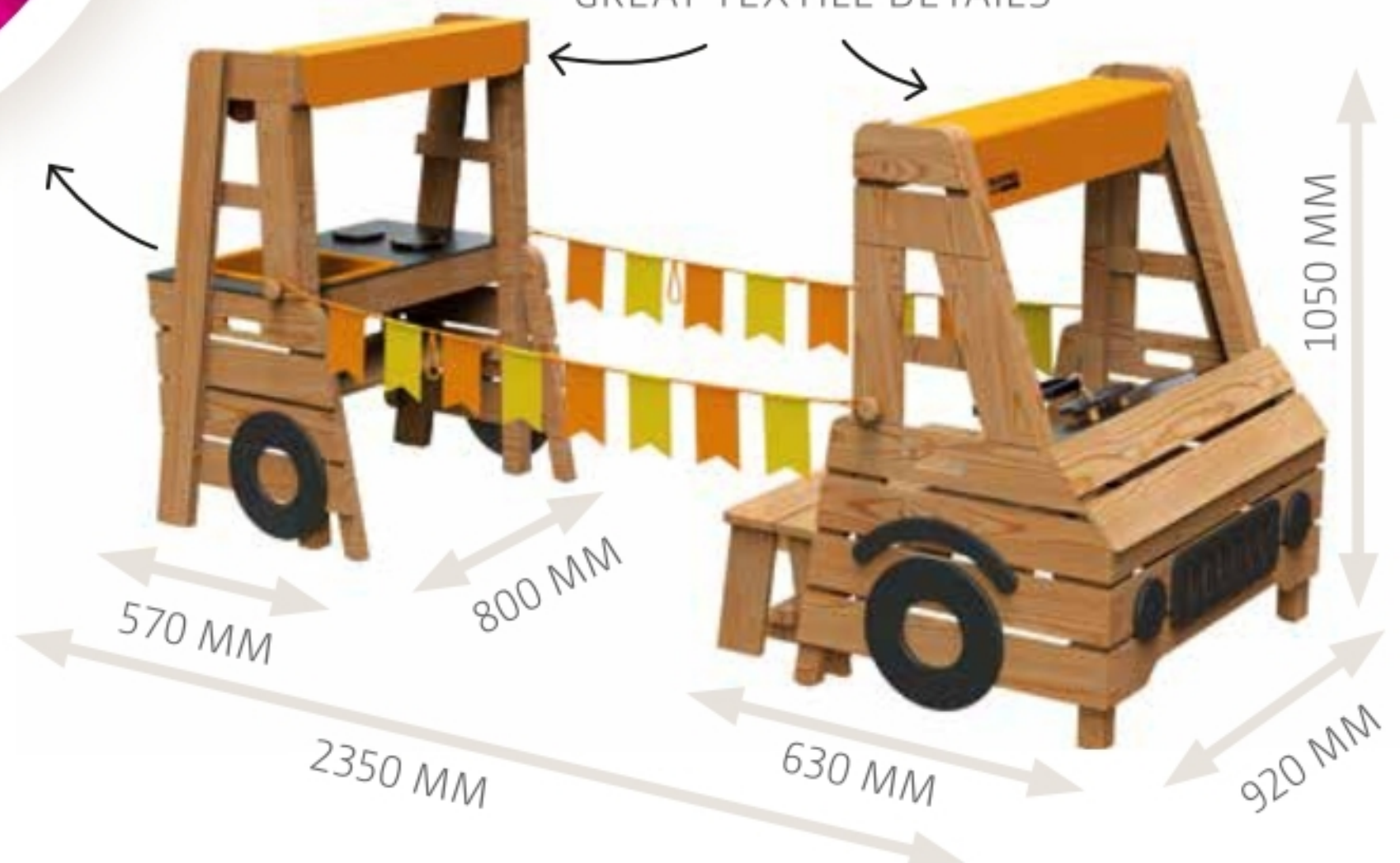


**XL CAMPING CAR, PLAYABLE FROM ALL SIDES**  
**GREAT TEXTILE DETAILS AND 2 COOKING PLATES**  
**THE IDEAL MATCH: MULTI-BENCHES + XL KITCHEN SET**

GREAT TEXTILE DETAILS



INCLUSIVE





# ICE CREAM & SHOP

Learn how to shop, sell and place orders



CAN BE PLACED DIRECTLY  
IN THE SANDPIT  
GREAT DETAILS AND MANY  
ACCESSORIES FOR LOTS OF FUN

NEW!



INCLUDED IN THE SET:

6x

3x



3x



Kids Video

INDOOR  
&  
OUTDOOR!



62081

## ROLEPLAY STATION ICE CREAM & SHOP

Everyday role-playing, such as reenacting an ice cream parlour or a grocery store, are among children's favourite activities. With our innovative Roleplay Station "Ice Cream & Shop", the playing can start right away. The sturdy, metal and HDPE-constructed station is suitable for both indoor and outdoor use. It can be placed directly in the sandbox, but it also fits on the playground or in the outdoor area. In addition to playing and getting messy with sand and water, the station trains fine motor skills. Above all, group play, communication and role-playing are encouraged. Children can slip into the role of an ice cream seller or a customer, inventing their own stories and practising their first counting. This interaction promotes social skills and empathy.

Size: 1090 x 600 x 1150 mm



A scoop of vanilla ice cream in a cone, please!

What kind of ice cream would you like?

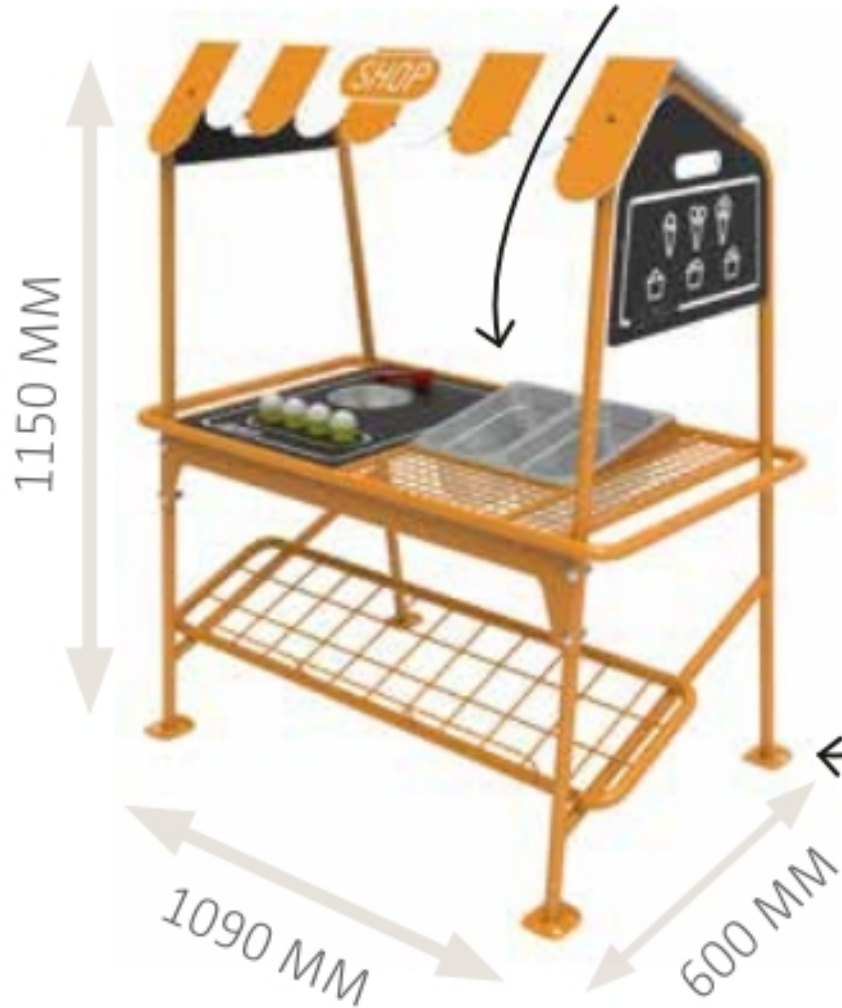


**HIGHLIGHT  
2025**

LIKE ICE IN THE SUNSHINE!

INTEGRATED ICE CREAM MENU

TWO STAINLESS STEEL TUBS



IT CAN BE SECURED TO THE GROUND



Ansgar Honkomp,  
Senior Designer beleduc

"Our Roleplay Station, "Ice Cream & Shop," allows children to assume new roles without the need for elaborate explanations. The ice cream station can easily transform into a shop in their imaginative play. The station can be conveniently placed directly in the sandpit thanks to its lightweight design and integrated handles. This helps keep the sand contained within the sandbox and prevents it from spreading across the area."



THE GAS STATION HAS WHEELS AND IS MOBILE



**MUST HAVE!**

EXTREMELY ROBUST AND STABLE!  
IDEAL FOR KINDERGARTEN AND SCHOOL (INDOOR AND OUTDOOR)



CAN BE PLAYED WITH FROM BOTH SIDES

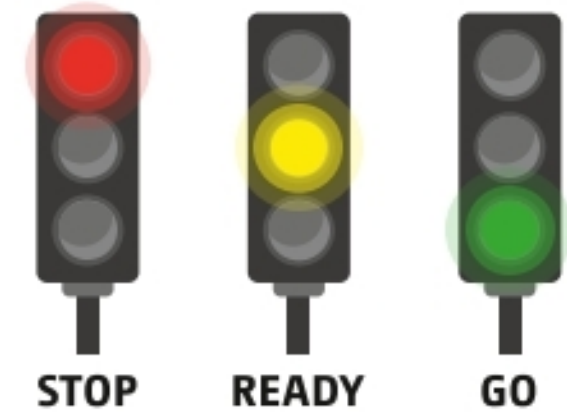
62060

### MOBILE GAS & SERVICE STATION

The TopPlay „Mobile Gas and Service Station“ is the perfect addition to all TopTrike vehicles. Children can playfully refuel their vehicles and develop role-playing games. Great details such as 2 fuel guns, dials for prizes or for setting the number of rounds in the car race are included. Also plenty of space for buckets, sponges and oil cans ... everything you need for a gas and service station. The writeable chalkboards make this innovative product a highlight.

Size: 810 × 670 × 640 mm  
Box size: 820 × 750 × 240 mm

4+ FOB 10,4 kg



62080

### TRAFFIC LIGHTS

The new traffic lights provide lots of fun on the outdoor area! The children can set up courses or play road traffic games. The traffic lights are ideal for the first exercises on the subject of road safety education.

Size: 600 × 600 × 913 mm  
Box size: 910 × 200 × 175 mm

4+ FOB 5 kg







PERFECT FOR A GROUP  
WITH GREAT ADDITIONAL  
MATERIAL FOR DOWNLOAD  
[WWW.BELEDUC.DE](http://WWW.BELEDUC.DE)



### 62010 MOBILE GREENHOUSE

The greenhouse enables children to discover the botanical world by becoming gardeners themselves. They can plant flowers, spices, vegetables and other things. It is exciting and educative for children to see something grow from a seed. The children learn to take on responsibility and consider the needs of others when caring of the plants. The greenhouse is also the ideal tool to educate children on ecological and eco-sustainable thinking and behaviour. It can be easily wheeled to different places indoors or outdoors due to its practical wheels depending on the weather and season. The transparent top, which can be opened and closed easily with a zipper, makes the greenhouse easily accessible and adaptable to all weather conditions.

Size: 1090 x 600 x 1150 mm  
Box size: 950 x 250 x 640 mm

3+

VERY WEATHER-RESISTANT  
CAN BE EASILY WHEELED TO DIFFERENT PLACES



Ohne Dekoration

### 62020 MOBILE WATER-TABLE

The beleduc water table offers many possibilities for outdoor roleplay and a first contact with science. Children love to play and experiment with water and observe how it behaves in different situations. They can for example find out how water changes directions when they redirect its flow. The children can interact easily due to the transparent design which offers a great possibility for group roleplay. The water table can be easily moved to different places due to its practical wheels. Included accessories: 2 tubes, 2 funnels, 2 blue seesaws, 3 water animals with function.

Size: 1160 x 575 x 1000 mm  
Box size 1: 970 x 170 x 760 mm  
Box size 2: 570 x 260 x 440 mm

3+







CAN BE PLAYED FROM ALL SIDES – PERFECT FOR GROUP PLAY  
CAN BE EASILY WHEELED TO DIFFERENT PLACES

**BEST SELLER**

### 62030 MOBILE KITCHEN

The outdoor kitchen will provide hours of fun role-play activities for the children and turn them into gourmet chefs. They can cook on the four stove plates and bake in the oven. The solid kitchen is made from high-quality and weather-resistant wood. It stands secure due to the robust construction. The kitchen's natural and modern design fits in every kindergarten. The large work-spaces are perfect for group play and the kitchen is accessible from all sides. All surfaces of the kitchen can be wiped down and are easy to clean. It can be easily wheeled to different places indoors or outdoors.

Size: 1060 × 600 × 1080 mm  
Box size: 1090 × 630 × 220 mm

3+



12 PARTS – MADE OF ROBUST STAINLESS STEEL  
VERY GOOD AND DETAILED WORK-MANSHIP  
FITS PERFECTLY TO THE KIOSK 4 IN 1



**SET OF 12**

### 24234 XL KITCHEN SET

The perfect addition for all TopPlay products of the beleduc line: Kiosk, kitchen and water-table, etc.. Beautiful cooking set made of robust stainless steel. True-to-detail-design for more play fun. Consisting of: pots, pans, bowls, sieve and other kitchen utensils, such as spoon and co. Children's cooking set, 12 pcs.

Box size: 345 × 240 × 118 mm

3+



# OUTDOOR SPIELKÜCHE



62031

## OUTDOOR PLAY KITCHEN

The Play Kitchen lets children slip into the role of little star chefs. Several children can gather at the wide countertop to create the most amazing dishes together. They can “cook” on the stovetops and “bake” their creative mud pies in the oven. The shelves and integrated hooks provide storage options for kitchen utensils. The Outdoor Play Kitchen is weather-resistant and made from sturdy, FSCTM-certified wood and plant plastic.

Size: 770 × 450 × 990 mm

Box size: 960 × 495 × 295 mm

3+



FOB



**KIGA EDITION**  
PARTICULARLY  
STABLE AND  
STURDY

MADE OF  
**PLANT  
PLASTIC**  
SUSTAINABLE



STURDY  
OVEN WINDOW  
FOR MORE SAFETY

**NEW!**

WITH FILLABLE WATER TANK AND SINK



In cooperation  
with Hape





INCREDIBLY MANOEUVRABLE  
DUE TO ROTATABLE BACKWHEELS  
FOOTHOLD AND HANDLES  
FOR MAXIMUM SAFETY

Product Video  
HAVE A LOOK!



### 64350 BUGGY

The Outdoor Buggy by beleduc is the best transportation for all loved dolls and cuddly toys. Ideal for mother-child-role play which children love. Due to its durability (up to 50 kg) children can also drive each other around on the playground. Our Buggy is very agile due to the rotatable backwheels and small turns are no problem. Amazing playing fun for both driver and passenger is guaranteed. In smaller, tight turns the handles on the sides offer great stability and the one being pushed feels as if they are directing the Buggy themselves.

Size: 600 × 630 × 475 mm **3+**  
Box size: 890 × 550 × 275 mm



Product Video  
HAVE A LOOK!



Ø  
85 cm



### 64360 CAROUSEL

The carousel offers the possibility to actively make it go round or hold on safely to the handhold. Children can sit opposite each other and play together. The carousel can be easily moved around easily transported to different play areas. Our carousel trains children's sense of balance and body coordination.

Size: 850 × 850 × 360 mm **3-6**  
Box size 1: 925 × 115 × 908 mm | Box size 2: 330 × 335 × 406 mm



### 67000 TURNING TABLE

With our "Turning Table", the fun increases round by round. It is particularly suitable for training and experiencing balance and body perception. Whether sitting or lying, the "Turning Table" is a challenge for every child.

Size: 550 × 550 × 270 mm **3+**  
Box size: 600 × 600 × 330 mm





### 67120 TURN & SWING

Two integrated ball bearings in the suspension enable rotation around the own axis. The included sling can be fastened to a suitable fixture, scaffold or tree and the toy can be fixed with a carabiner. Practical variable height settings enable the usage seated or hanging freely. The robust rope is additionally protected against abrasion and wear and the connection to the bearing was sealed as protection against dirt and water.

**Size:** 2500 × 460 × 95 mm  
**Box size:** 470 × 80 × 135 mm

3+



SET OF 4



### 68230 SET OF 4 MULTI BENCHES

The multi benches are perfect everywhere where several children come together for example for outdoor and indoor play or during break time. Simply unfold the bench and take a seat! The robust, powder-coated steel frame is durable and weather-resistant. The benches are foldable for practical, space-saving storage and each set contains 4 benches and 2 storage bags.

**Size:** 365 × 1100 × 330 mm  
**Box size:** 1120 × 175 × 495 mm

3+

ROBUST, MOBILE & VERSATILE  
 WITH 5 ADDITIONAL EXPERIMENT CARDS  
 FOR DOWNLOAD

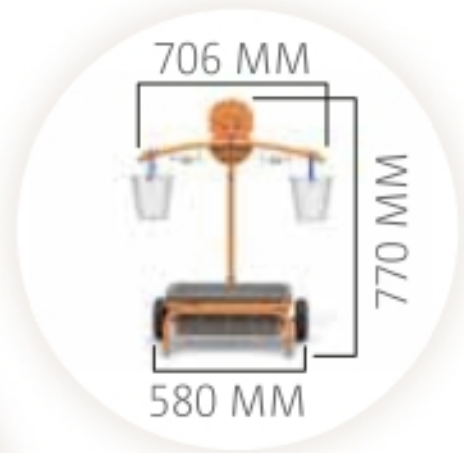


### 64370 MOBILE SCALE

The new scale by beleduc in our tried-and-tested TopPlay design is a classic measuring instrument and perfect for children aged 4 years and older. The ideal educational aid to combine playing with and learning about weight. With this measuring scale children can develop an understanding for weight and balance. The two transparent buckets enable children to realise the connection between fill volume and weight. Different buckets can be used simply by adjusting the balancing weights. Moving the scale around on the playground and indoors is no problem due to an integrated handle and wheels.

**Size:** 619 × 580 × 770 mm  
**Box size:** 830 × 470 × 285 mm

3+



Product Video

HAVE A LOOK!





### 64090 WHEELBARROW

The big and solid wheelbarrow cannot be missed in any sandbox. Its high capacity makes it possible to load, transport and unload large amounts of sand. Thus, the needs of little sand castle builders are well catered for.

**Size:** 885 × 405 × 430 mm

**Box size:** 805 × 425 × 355 mm

4+



### 64160 DIGGER

With the "Digger" kids rock the sandbox! The seat offers a 360° turning function, so that children can dig from all sides with the robust steel shovel. The feet provide a secure footing, as they can dig deeply into the ground.

**Size:** 600 × 600 × 900 mm

**Box size:** 630 × 500 × 285 mm

3+





**BEST  
SELLER**

**NEW!  
WITH PINCH PROTECTION**

**INDOOR & OUTDOOR USABLE!  
EXTREMELY STABLE AND EASY  
TO HANDLE!**



1120 MM

### 68042 **TRANSPORT CAGE**

The sturdy and weatherproof Transport Cage is perfect for storing sand toys, balls and other sports equipment. One side panel can be folded in half and allows easy access for the children. With its lockable castors the position of the Transport Cage can be easily moved around in the gym as well as on outdoor areas. The additional anti-trap protection ensures optimum safety.

**Size:** 1120 × 706 × 830 mm

**Box size:** 1140 × 730 × 185 mm



# THE EXPERT FOR CHILDREN'S VEHICLES FOR OVER 25 YEARS



By using our vehicles we support the children's urge to move. Incidentally the child develops motor skills and endurance.



Prof. Dr. Harald Lange, Germany

"We have developed a quality seal to measure the movement, educational and play value of our movement items. This gives parents, teachers, trainers, athletes and other users a practical and precise help for making choices regarding purchasing and usage."



The quality seal "Bewegte Innovation" (= "Moving Innovation") is awarded to items with high pedagogical quality regarding movement and innovation.

**HIGHLIGHT!**





# OUR TOPTRIKE GUARANTEES AND QUALITY FEATURES AT A GLANCE:

- Developed with a team of leading pedagogues, engineers and product designers
- Scientifically proven
- Easy assembling
- Limited steering angle and stop damper avoid trapping of fingers
- Solid, powder-coated frame resistant to rust and impacts
- Long, solid and weather-proof plastic seat suitable for different age groups

- Broad spare part service
- 5 years warranty on steel frame
- 1 year warranty on all moving parts
- For children aged 3 – 10 years
- Up to 50 kg

Find an overview of the Spare Parts in the beleduc main catalog or at [www.beleduc.de/service](http://www.beleduc.de/service).







ABRASION RESISTANT WHEELS



### 64300 LITTLE DRIVER

With this ride-on bike children aged 12 months and older can practice first motor sequences and thus improve their motor skills. This builds the base for the successful learning of more complex motion sequences.

Size: 540 × 210 × 370 mm  
Box size: 530 × 220 × 310 mm

12 M+

### 64310 LITTLE CRUISER

Ride along with our "Little Cruiser"! This trike is perfect for small children to learn to coordinate pedalling and steering at the same time. The seat has an integrated handle which makes it easier to carry and store.

Size: 660 × 410 × 500 mm  
Box size: 560 × 200 × 455 mm

18 M+

for the youngest

ADJUSTABLE SEAT



### 64320 LITTLE BALANCER

Hop onto the walking bike "Little Balancer" for the youngest. With this bike young children can discover their body's centre of gravity and train their balance. The seat can be individually adjusted for each child. Walking bikes are the ideal preparation for riding a bike.

Size: 730 × 440 × 495 mm  
Box size: 660 × 150 × 310 mm

24 M+







### 64100 QUADDY

“Quaddy” gives the youngest children the opportunity to move on four wheels. With “Quaddy”, the children learn to push themselves off with their legs, in order to move forward and steer simultaneously. A secure footing is guaranteed by the four wheels.

Size: 530 × 320 × 350 mm  
Box size: 565 × 335 × 280 mm

18  
M+



### 64050 SMALL TRIKE

Now, it is time for the youngest children to pedal away! The “Small Trike” provides a great introduction to pedalling. The children can improve the coordination of pedalling and steering with this vehicle.

Size: 750 × 440 × 520 mm  
Box size: 540 × 490 × 280 mm

24  
M+



### 64240 LITTLE DRIFTER

With its three wheels, “Little Drifter” not only offers a safe driving comfort, but a secure footing as well. Without any problems, you can take a break and figure out a new racing route.

Size: 800 × 410 × 500 mm  
Box size: 590 × 430 × 290 mm

24  
M+





IDEAL FOR INDOOR AND OUTDOOR PLAY!

SLALOM, COURSE & COMPETITION



INDOOR & OUTDOOR!

SET OF 4

THE LOW-COST AND SPACE-SAVING ALTERNATIVE FOR LOTS OF FUN IN THE GROUP

MOTOR SKILLS-GAME

ALONE OR IN A TEAM (RACE, SLALOM, PARCOURS)



ENJOY DRIVING TOGETHER AS A GROUP



Product Video

HAVE A LOOK!

5 YEARS WARRANTY



TRAFFIC EDUCATION

210 MM



720 MM



64116

### WHEELIE, SET OF 4

Ready, steady, go ... This wheelie is a lot of fun and inspires all children! It motivates to a lot of movement whether indoors or outdoors. The Wheelie also stimulates the imagination and becomes a role-playing highlight when taking every obstacle and the tightest curves in the course. It trains balance, coordination and promotes communication skills and is ideal for the first traffic education.

Size: 720 x 210 x 210 mm

Box size: 460 x 460 x 780 mm (Set of 4)

3+



64390

## SCOOTER »MAXI« XL

With the new TopTrike Maxi Scooter, driving fun is also guaranteed for older children. In a new design in anthracite and orange with number plate. The scooter in well-known TopTrike quality is especially suitable for the playground and provides lots of fun and movement.

Size: 1200 × 480 × 905 mm

Box size: 880 × 240 × 500 mm



# FIT FOR SCHOOL



THE HIGHLIGHT FOR EVERY PLAYGROUND!

COOL DESIGN

XL FRAME & EXTRA LARGE TYRES



SOLID HANDLE WITH RUBBER NUBS FOR A GOOD GRIP

HEAVY STEEL FRAMES WITH A DIAMETER OF 22 MM

EVA-FOAMED TYRES FOR LONG LIFE DURABILITY AND QUIET CRUISING

RIPPED SHEET METAL

BRAKE

NUMBER PLATE

XL TYRES

HAVE A LOOK!



Kids Video



# SEAT SCOOTER

*Sitting or standing - go on tour in comfort!*

**NEW!**



**Kids Video**

HAVE A LOOK!



NEW AND INNOVATIVE DESIGN

64400

### SEAT SCOOTER

Let's go for an exciting scooter ride! The new scooter turns riding a scooter into a new adventure. STANDING OR SITTING - both are possible! After a long tour around the playground, you can also make yourself comfortable on the seat and use the scooter as a balance bike! Children's scooters are among the bestsellers in kindergarten and school and, in addition to balance, train the body's flexibility, improve reaction speed and strengthen the entire musculature of the body.

Size: 1093 x 525 x 793 mm  
Box size: 790 x 190 x 510 mm



RUBBER NUBS FOR A GOOD GRIP

NEW RIDING EXPERIENCE - SITTING AND SCOOTING IN ONE  
LOTS OF FUN IN THE FRESH AIR!



EVA-FOAMED TYRES FOR LONG LIFE DURABILITY AND QUIET CRUISING

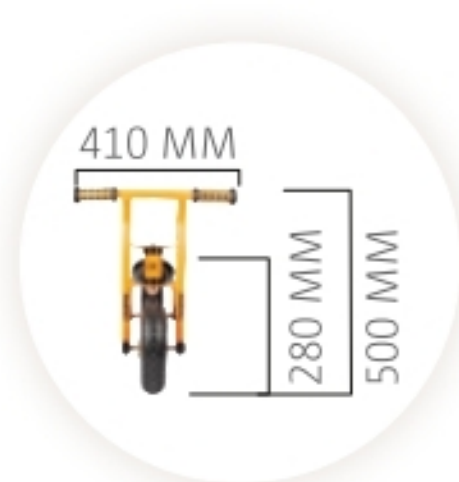


BRAKE

RIPPED SHEET METAL







Small

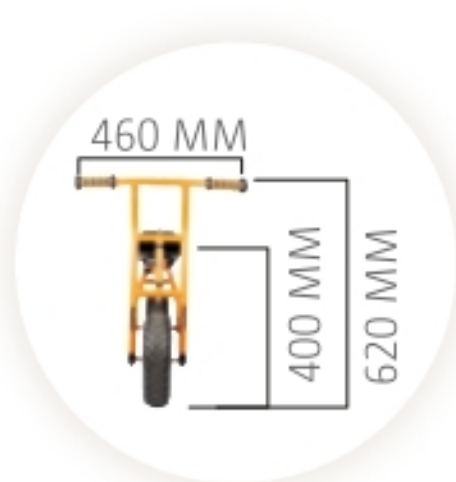


### 64030 LITTLE WALKER

Our "Little Walker" is a great companion for the youngest children. With this vehicle, the children can find their body's centre of gravity and learn to coordinate their balance.

Size: 760 × 410 × 500 mm  
Box size: 555 × 420 × 280 mm

24  
M+



Big

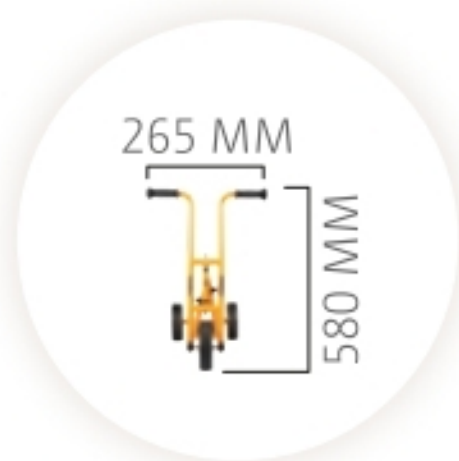


### 64040 WALKER

With our „Walker“, children learn to find and keep their balance. In addition, it offers a great preparation for riding a bicycle later.

Size: 890 × 460 × 620 mm  
Box size: 625 × 225 × 490 mm

3+

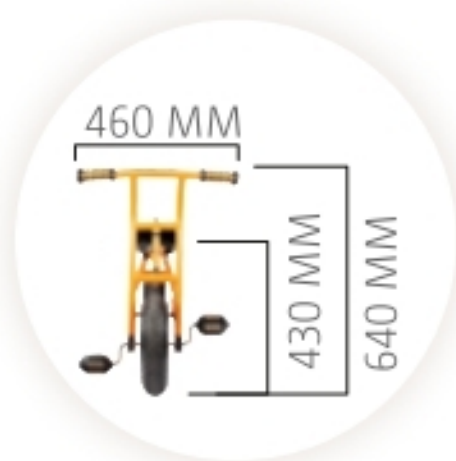


### 64190 MINI ROLLY

With "Mini Rolly" even the youngest kids get into gear! Two wheels at the end of the roller prevent it from tipping over. Therefore, "Mini Rolly" offers a stable footing for the smallest children, who might not yet be able to keep their balance.

Size: 680 × 265 × 580 mm  
Box size: 560 × 175 × 420 mm

24  
M+



### 64200 TOP BIKE

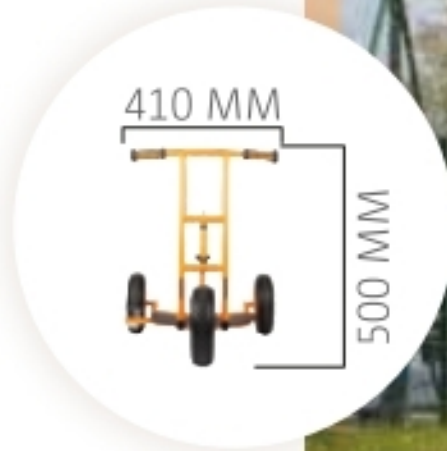
First ride on two wheels! The learning bike "Top Bike" is ideal to train balance and steering. It serves as transition vehicle from tricycle to bicycle!

Size: 930 × 460 × 640 mm  
Box size: 675 × 487 × 365 mm

4+



NEW DRIVING EXPERIENCE – THREE-WHEELED SCOOTER  
 SECURE STAND  
 OPTIMAL OFF-ROAD ABILITIES



### 64000 SCOOTER »BENGY«

The wide, crescent anti slip board and the three wheels and the brake provide for a secure footing and endless "driving pleasure". "Bengy" offers a suitable introduction to riding a scooter.

Size: 760 × 410 × 500 mm

Box size: 760 × 410 × 670 mm

3+



Small



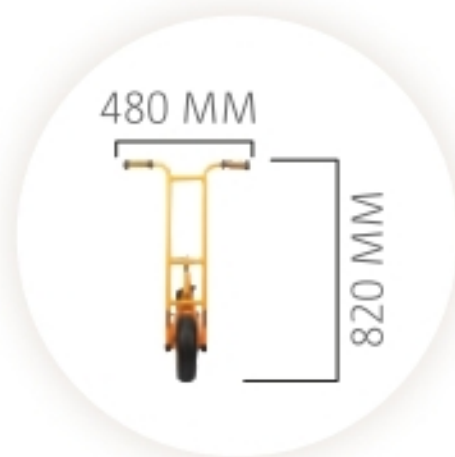
### 64020 SCOOTER, SMALL

The small scooter is just as good as its "big brother". It is equipped with an anti slip running board, EVA tyres and a brake, as well.

Size: 1070 × 470 × 720 mm

Box size: 810 × 210 × 520 mm

3+



Big



### 64010 SCOOTER, BIG

Let's go for a fantastic scooter ride! The big and solid Scooter makes scooter riding an amazing adventure. The anti slip running board and the EVA tyres ensure a great ride comfort. The installed brake guarantees a quick stop.

Size: 1070 × 480 × 820 mm

Box size: 790 × 190 × 530 mm

5+



# SHUTTLE TRIKE "MAXI"

*Everyone wants to ride along!*

HOP ON  
HOP OFF!

**NEW!**



**FIT FOR SCHOOL**



64420

### SHUTTLE TRIKE »MAXI«

Our new Shuttle Trike "Maxi" is quickly becoming the great attraction on playgrounds and in schoolyards: in role-play, the trike turns into a taxi, a chariot for the ancient Romans, or a fire or police car rushing to a rescue mission. "Hop on – hop off" is the motto here, as the trike is suitable for multiple children. One child can drive and steer in the front, while several children can stand and ride in the back. With durable powder coating on the aluminium foot-board, the trike is perfectly equipped and non-slip due to its ribbed structure. The extra-large robust tires make the Shuttle Trike the ideal vehicle for older children.

Size: 1217 x 672 x 736 mm  
Box size appr: 950 x 540 x 450 mm



ELEGANT DESIGN  
DURABLE & EXTRA STABLE  
THE HIGHLIGHT FOR ANY PLAYGROUND!

RUBBER NUBS FOR A GOOD GRIP



EVA-FOAMED TYRES FOR LONG LIFE DURABILITY AND QUIET CRUISING

IDEAL FOR SCHOOL

EXTRA LARGE TYRES

RIPPED SHEET METAL EXTRA STURDY







ADJUSTABLE SEAT



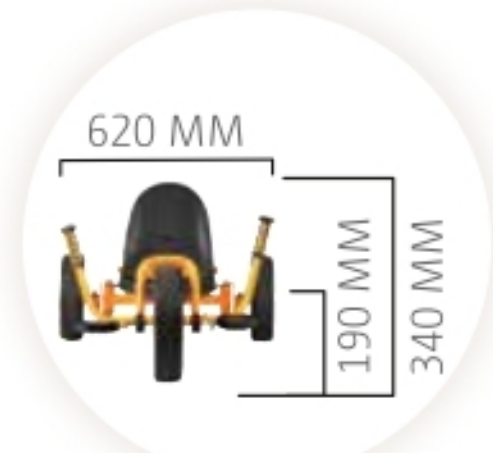
### 64130 CHOPPER

Relaxed cruising! This great "Chopper" offers a unique riding experience with its low seat and backrest and high handles.

Size: 960 × 590 × 660 mm

Box size: 760 × 530 × 360 mm

4+



### 64120 RIDER

Unique for all terrains! This trike offers driving comfort with its low seat and the steering mechanism on both sides, which is the same height as the seat.

Size: 930 × 620 × 340 mm

Box size: 780 × 610 × 350 mm

5+



### 64060 ROOKIE

Our "Rookie" is the perfect companion for kindergarten and pre-school children. With its long and comfortable seat, larger distances can be managed easily. During a break, observing and discovering while sitting is no problem, thanks to the three wheels.

Size: 930 × 550 × 640 mm

Box size: 690 × 480 × 415 mm

4+



### 64070 TAXI

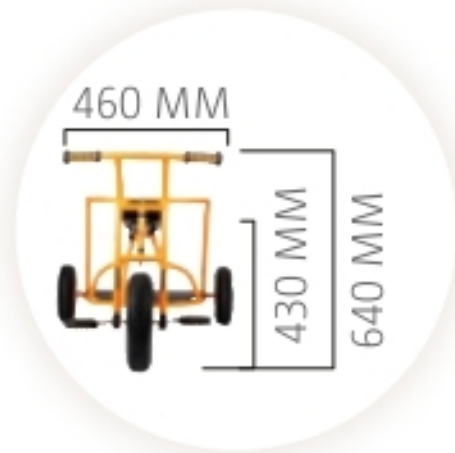
With our "Taxi", best friends can be given a comfortable ride. Two seats are mounted in a row and an anti slip board gives a secure footing for a third passenger. A back on both seats provides for a special comfort.

Size: 1120 × 560 × 640 mm

Box size: 940 × 540 × 480 mm

3+





### 64080 EXPRESS TRIKE

It provides much "driving pleasure" for two children. An anti slip board and a railing give the passenger a secure footing. This vehicle offers various role playing possibilities.

**Size:** 1180 x 650 x 640 mm  
**Box size:** 930 x 520 x 450 mm

4+



### 64180 RICKSHAW

Running and driving pleasure with our Rickshaw! With the two-wheeled rickshaw one child can be pulled by another. The EVA handles prevent hands from slipping off. A small wheel at the rear of the rickshaw offers additional stability.

**Size:** 1220 x 650 x 500 mm  
**Box size:** 735 x 510 x 520 mm

3+



### 64140 PILLION TAXI

The tricycle "Pillion Taxi" offers room for up to three children. One child can drive the sturdy vehicle and up to two kids can enjoy the ride while sitting on the back seat.

**Size:** 1130 x 680 x 640 mm  
**Box size:** 950 x 540 x 450 mm

4+



### 64170 SIDE CAR

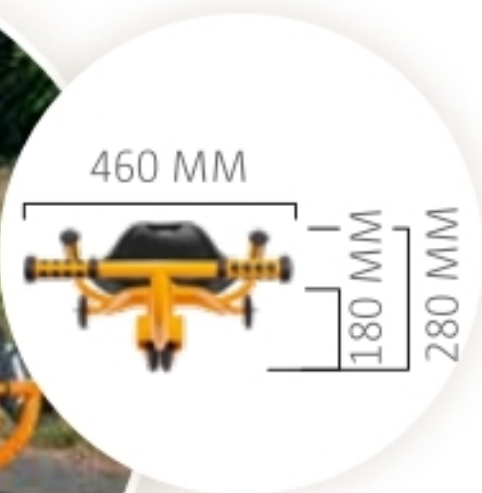
Enjoying the ride side by side with the "Side Car"! The tricycle is suitable for two children. The passenger can also enjoy the view ahead.

**Size:** 910 x 800 x 640 mm  
**Box size:** 705 x 725 x 440 mm

4+







**Small**



### 64270 »SPEED STAR« SMALL

Due to its special construction the Speed Star offers a totally new driving experience. Through precise left and right movements of the feet the vehicle can be navigated accurately. The comfortable and ergonomically formed seat in combination with the innovative handles ensure your safety.

**Size:** 760 × 460 × 280 mm  
**Box size:** 780 × 315 × 520 mm

4-6



**Big**



SUITABLE FOR OLDER AND BIGGER CHILDREN  
 THE STAR ON EVERY PLAYGROUND

### 64280 »SPEED STAR« BIG

Through precise left and right movements of the feet the vehicle can be navigated accurately. The comfortable and ergonomically formed seat in combination with the innovative handles ensure your safety. Suitable for older and bigger children. The star on every playground.

**Size:** 850 × 460 × 280 mm  
**Box size:** 880 × 315 × 520 mm

7-10



EXCEPTIONAL DRIVING CHARACTERISTICS  
 DUE TO IST MOVEABLE BACK WHEELS  
 THE RIDER CAN BE TURNED ON THE SPOT  
 CAN BE "DRIFTED" THROUGH SHIFTING  
 YOUR WEIGHT  
 ADJUSTABLE SEAT



### 64290 DRIFT RIDER

The Drift Rider enables exceptional driving characteristics due to ist moveable back wheels. He can be navigated precisely like a tricycle. Through body tension and shifting your weight curves can be "drifted" or the rider can be turned on the spot. Huge driving fun is guaranteed.

**Size:** 1200 × 520 × 670 mm  
**Box size:** 970 × 560 × 375 mm

5+



62060

### MOBILE GAS & SERVICE STATION

Great details such as 2 fuel guns, dials for prizes or for setting the number of rounds in the car race are included. Also plenty of space for buckets, sponges and oil cans ... everything you need for a gas and service station. The writeable chalkboards make this innovative product a highlight.

Size: 810 x 670 x 840 mm  
Box size: 820 x 750 x 240 mm



IDEAL ADDITION FOR ALL TOPTRIKE VEHICLES  
WITH 2 FUEL GUNS, DIALS FOR PRIZES AND  
CHALKBOARD FOR GREAT ROLE-PLAYING GAMES  
CAN BE PLAYED WITH FROM BOTH SIDES

## EQUIPMENT



60200

### SCOOTER STAND

Up to four scooters or trikes can be placed in the Scooter Stand. Since this stand can be fixed to the ground with screws, stability is guaranteed.

Size: 1200 x 210 x 130 mm

FOB



60201

### SCOOTER HANGER

With the Scooter Hanger trikes and scooters can be hung on the wall and be stowed in a space-saving manner. Load capacity 20 kg.

Size: 180 x 230 x 230 mm

FOB



68190

### WARNING VEST

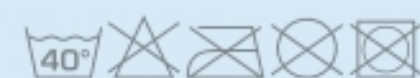
With the warning vest with reflective strips young drivers become more visible. Thanks to its elastic bands on the sides, it is adaptable to different age groups.

Size: 450 x 540 mm

3-6

FOB

!1





Discover our  
entire collection:  
[WWW.BELEDUC.DE](http://WWW.BELEDUC.DE)



LIKE US ON FACEBOOK!  
[@BELEDUC.LERNSPIELWAREN](https://www.facebook.com/BELEDUC.LERNSPIELWAREN)



LIKE US ON INSTAGRAM!  
[@BELEDUC.LERNSPIELWAREN](https://www.instagram.com/BELEDUC.LERNSPIELWAREN) , [@BELEDUC\\_EUROPE](https://www.instagram.com/BELEDUC_EUROPE)



GAME VIDEOS ON YOUTUBE!  
[YOUTUBE.COM/PLAYEXPERIENCELEARN](https://www.youtube.com/PLAYEXPERIENCELEARN)



MORE INFORMATION UNDER:  
[WWW.BELEDUC.DE](http://WWW.BELEDUC.DE)



beleduc Lernspielwaren GmbH  
Heinrich-Heine-Weg 2  
09526 Olbernhau  
Deutschland

T: +49 37360 162 0  
F: +49 37360 162 29  
[info@beleduc.de](mailto:info@beleduc.de)  
[www.beleduc.de](http://www.beleduc.de)

90025-T

